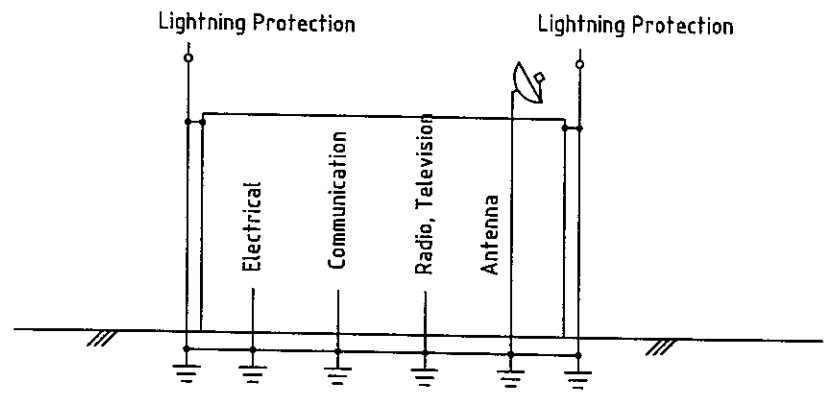


1	2	3	4
REV	REVISION NOTE	DATE	BY
			CHKED

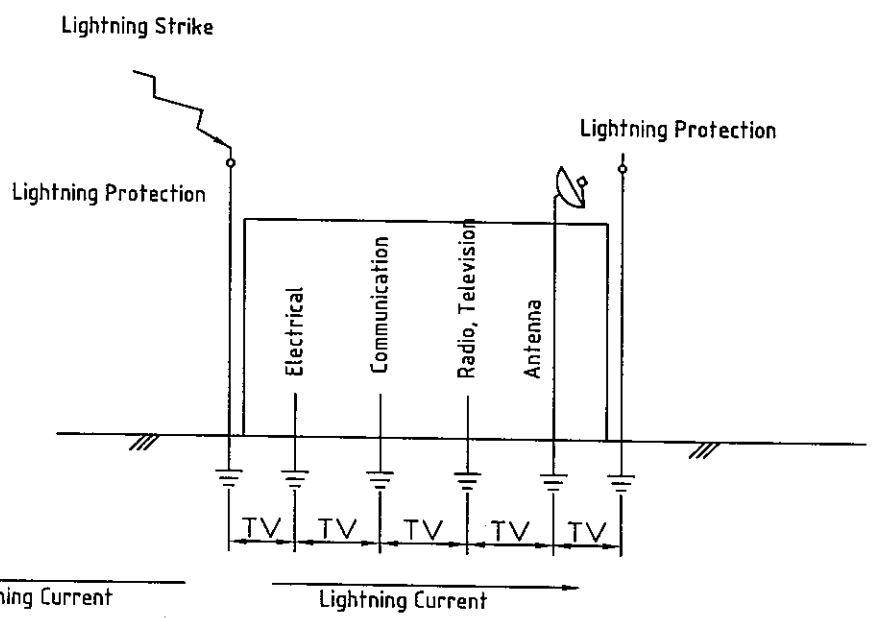
A
B
C
D
E
F



All grounding electrodes are bonded as required by codes.

Fig. 1

PROHIBITED



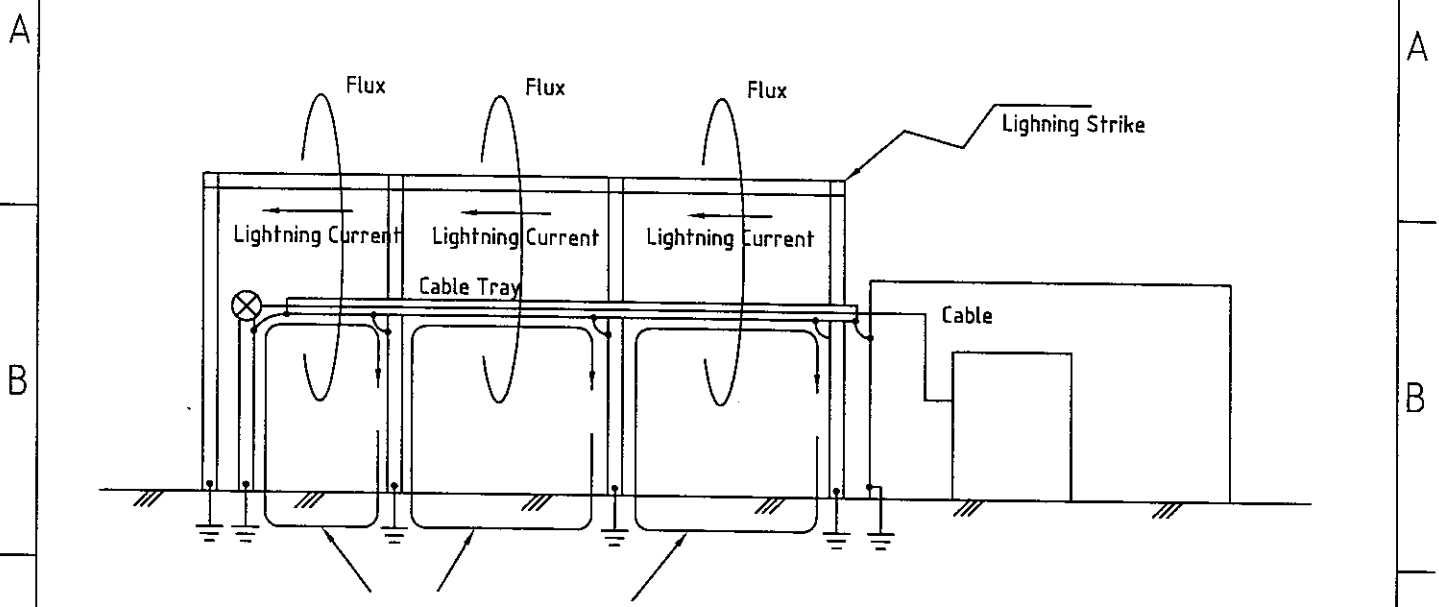
Between all grounding electrodes, there will be high transient voltages.

TV: Transient Voltage

Fig. 2

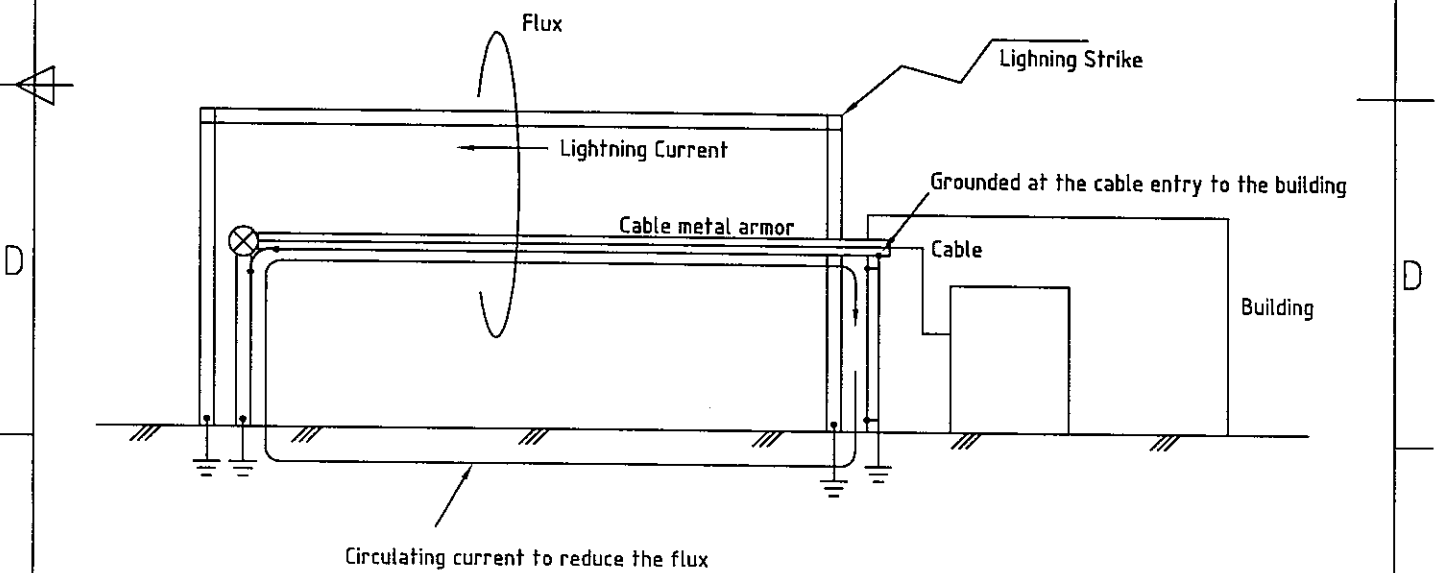
NO	Q'TY	ITEM	REFERENCE
DESIGNED BY	CHECKED BY	APPROVED BY	FILE NAME
AS	AS	N/A	LtngGnd01
			DATE
			30/JAN/03
			SCALE
			N/A
N/A		TITLE	
		Lightning Grounding	
PT. ANI INTERNATIONAL		DWG. NO.	REV
		LtngGnd01	0
		SHT	CONT SHT
		71	72

1	2	3	4
REV	REVISION NOTE	DATE	BY
			CHKED
			GE



Circulating currents induced by the flux.
 The direction is opposite to the lightning current.
 Thus, circulating currents will reduce the flux linked to the cable.

Fig. 11



Circulating current to reduce the flux

Fig. 12

NO	Q'TY	ITEM	REFERENCE
DESIGNED BY	CHECKED BY	APPROVED BY	FILE NAME
AS	AS	N/A	LtngGnd02
			DATE
			30/JAN/03
			SCALE
			N/A
N/A		TITLE	
		Lightning Grounding	
PT. ANI IONAL		DWG. NO.	REV
		LtngGnd02	0
		SHT	CONT SHT
		72	73

Property of PT. Anis Internasional Jakarta, Indonesia

1	2	3	4
REV	REVISION NOTE	DATE	BY
			CHKED

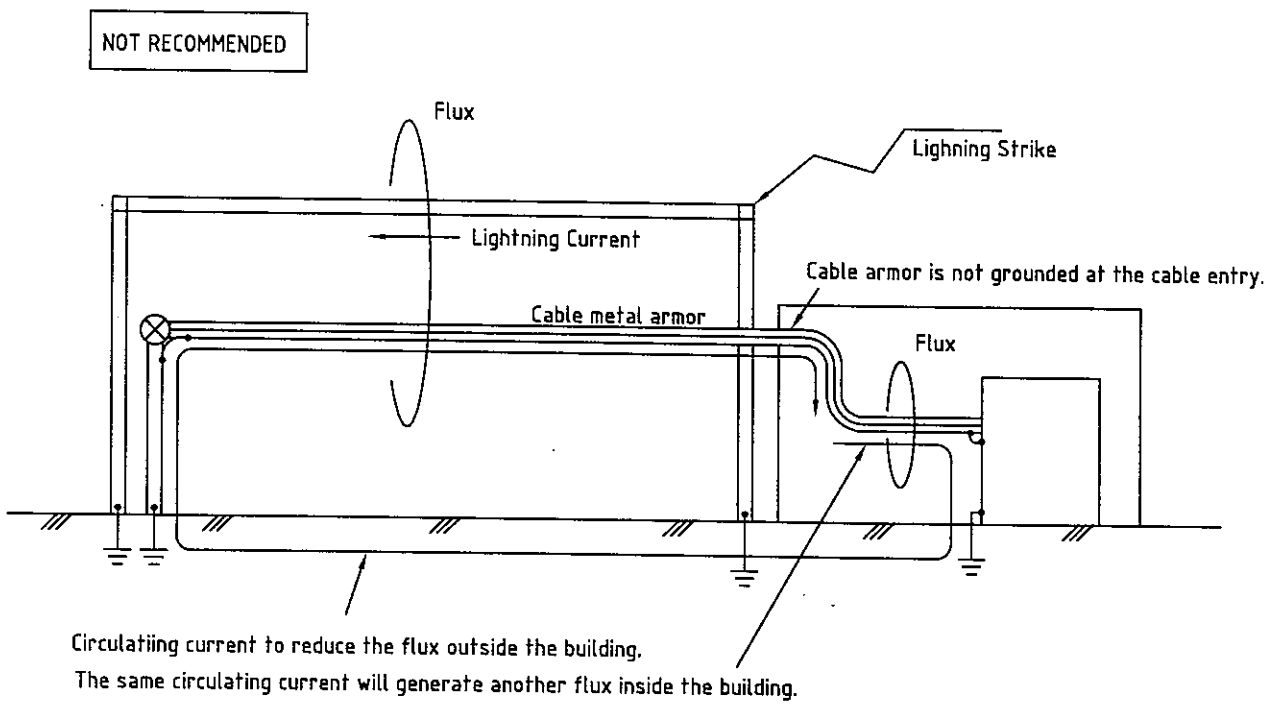


Fig. 21

NO	Q'TY	ITEM	REFERENCE
DESIGNED BY	CHECKED BY	APPROVED BY	FILE NAME
AS	AS	N/A	LtngGnd03
			DATE
			30/JAN/03
			SCALE
			N/A
N/A		TITLE	
		Lightning Grounding	
PT. ANIS INTERNATIONAL		DWG. NO.	REV
		LtngGnd03	0
		SHT	73
		CONT SHT	81

Property of PT. Anis Internasional Jakarta, Indonesia