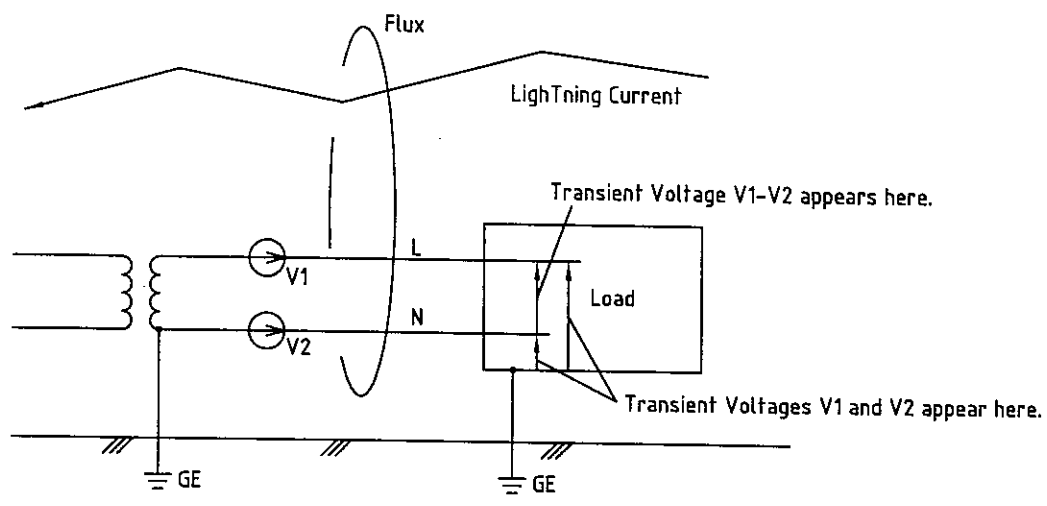


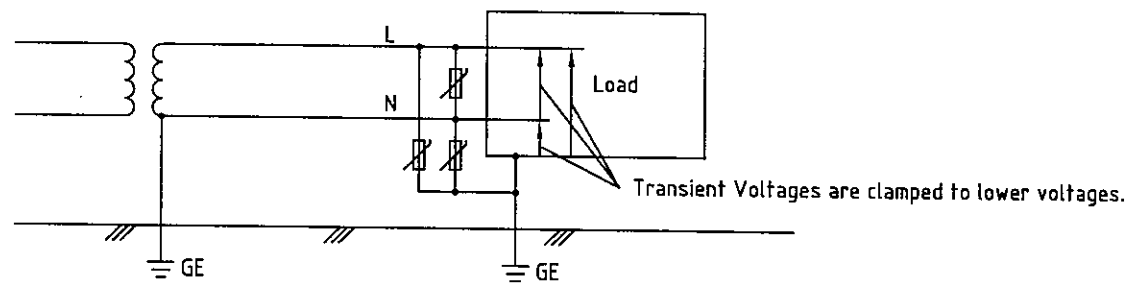
A
B
C
D
E
F

A
B
C
D
E
F



⊕ Transient Current Source
 GE : Grounding Electrode

Fig. 1



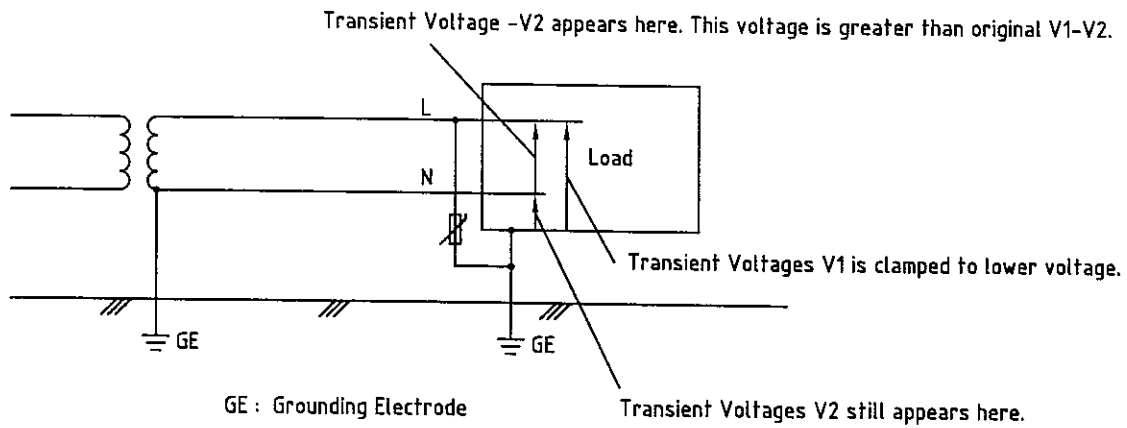
GE : Grounding Electrode
 TVSS

Fig. 2

NO	Q'TY	ITEM			REFERENCE		
DESIGNED BY	CHECKED BY	APPROVED BY	FILE NAME	DATE	SCALE		
AS	AS	N/A	TvssGnd01	31/JAN/03	N/A		
N/A			TITLE				
			TVSS Grounding				
DWG. NO.				REV	SHT	CONT SHT	
TvssGnd01				0	81	82	



NOT RECOMMENDED



In case TVSS is installed only L.

Fig. 11

BAD EXAMPLES

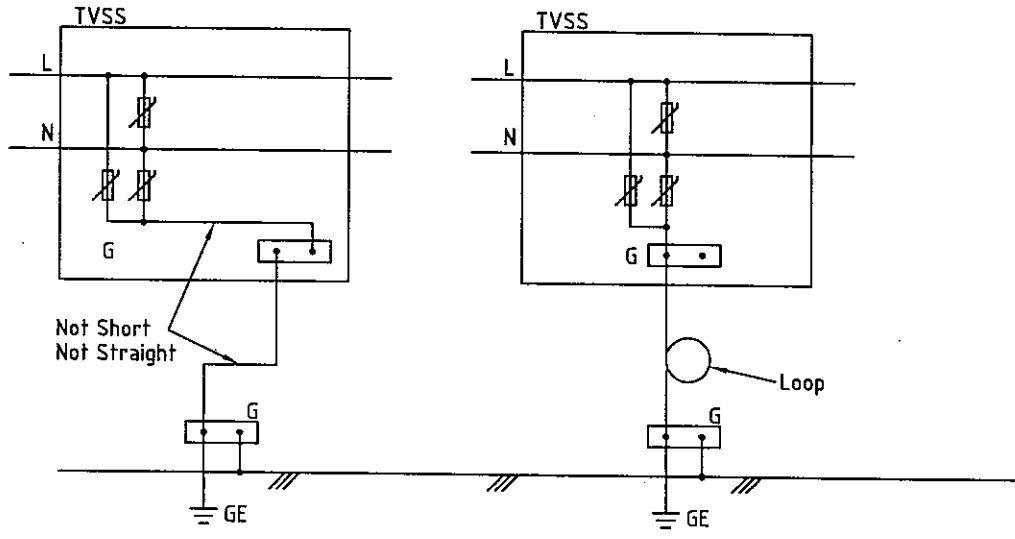
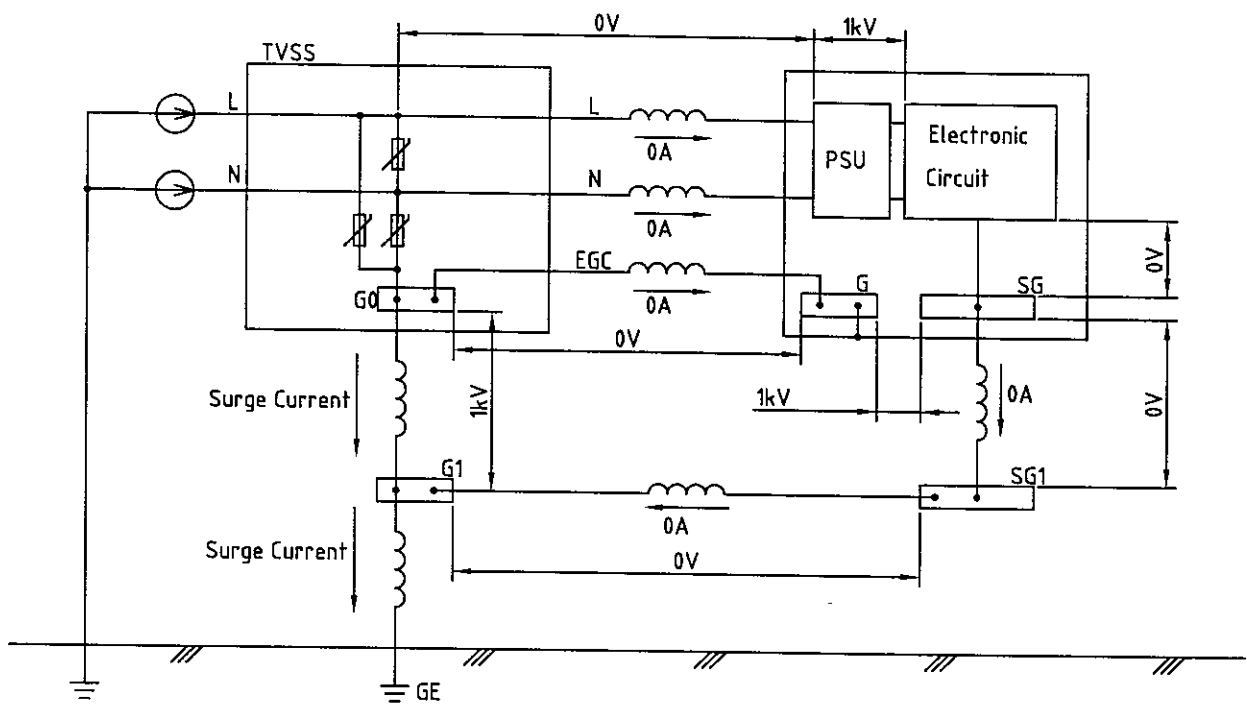


Fig. 12

NO	Q'TY	ITEM	REFERENCE			
DESIGNED BY	CHECKED BY	APPROVED BY	FILE NAME	DATE	SCALE	
AS	AS	N/A	TvssGnd02	31/JAN/03	N/A	
N/A			TITLE			
			TVSS Grounding			
PT. ANI INTERNATIONAL			DWG. NO.	REV	SHT	CONT SHT
			TvssGnd02	0	82	83

Property of PT. Anis Internasional Jakarta, Indonesia

NOT RECOMMENDED



- Transient Current Source
- Inductance on Conductor

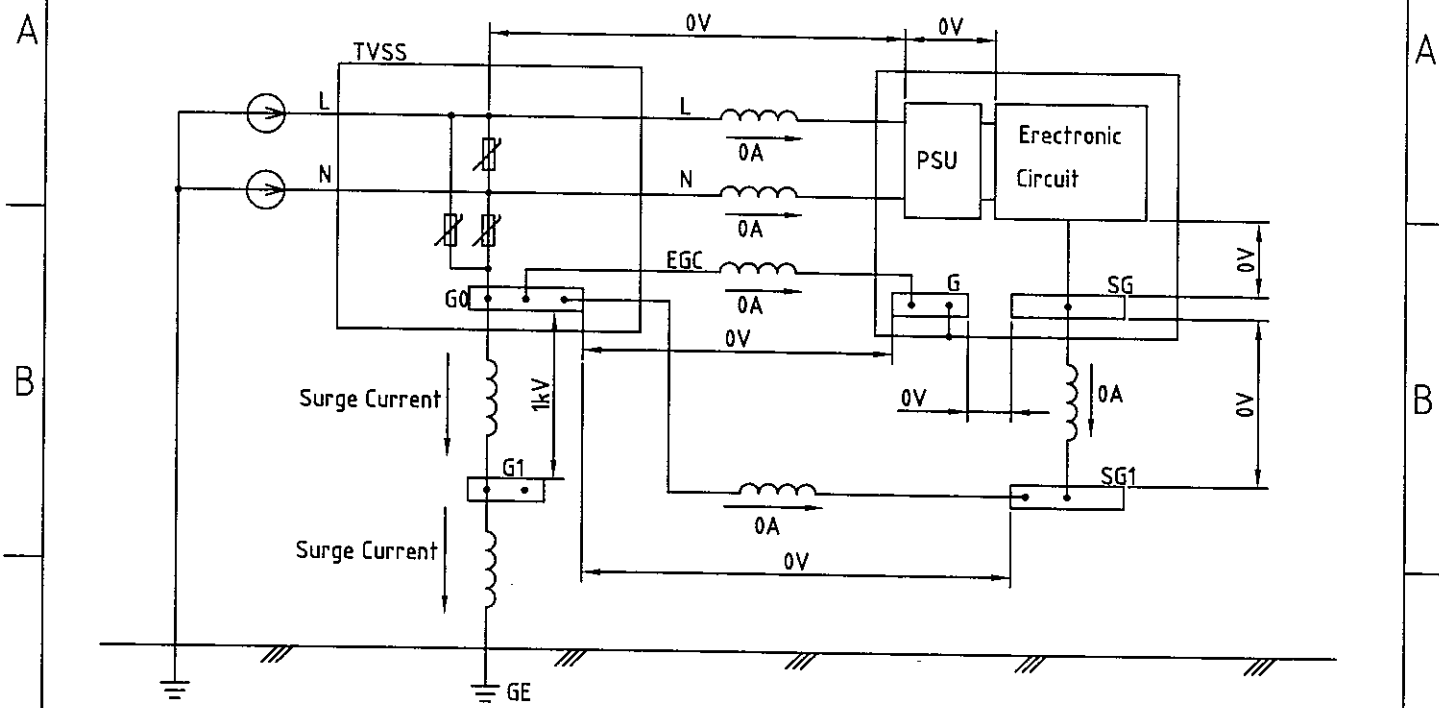
TVSS : Transient Voltage Surge Suppressor
 PSU : Power Supply Unit
 GE : Grounding Electrode
 EGC : Equipment Grounding Conductor
 SG : Signal Ground
 : TVSS

No Equipotential Connection
 Fig. 21

NO	Q'TY	ITEM	REFERENCE
DESIGNED BY	CHECKED BY	APPROVED BY	FILE NAME
AS	AS	N/A	TvssGnd03
			DATE
			3/FEB/03
			SCALE
			N/A
N/A		TITLE	
		TVSS Grounding	
PT. ANI IONAL		DWG. NO.	REV
		TvssGnd03	0
		SHT	CONT SHT
		83	84

Property of PT. Anis Internasional Jakarta, Indonesia

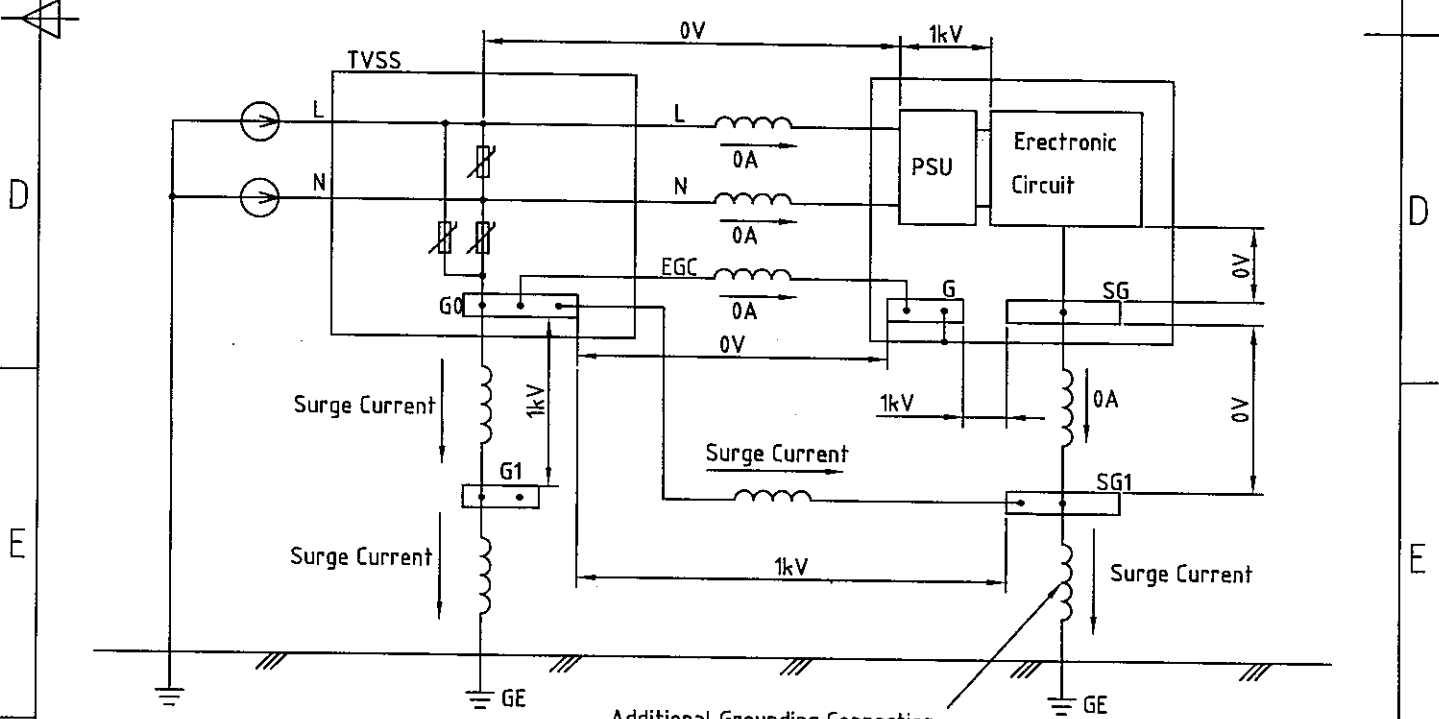
RECOMMENDED



Equipotential Connection

Fig. 31

NOT RECOMMENDED

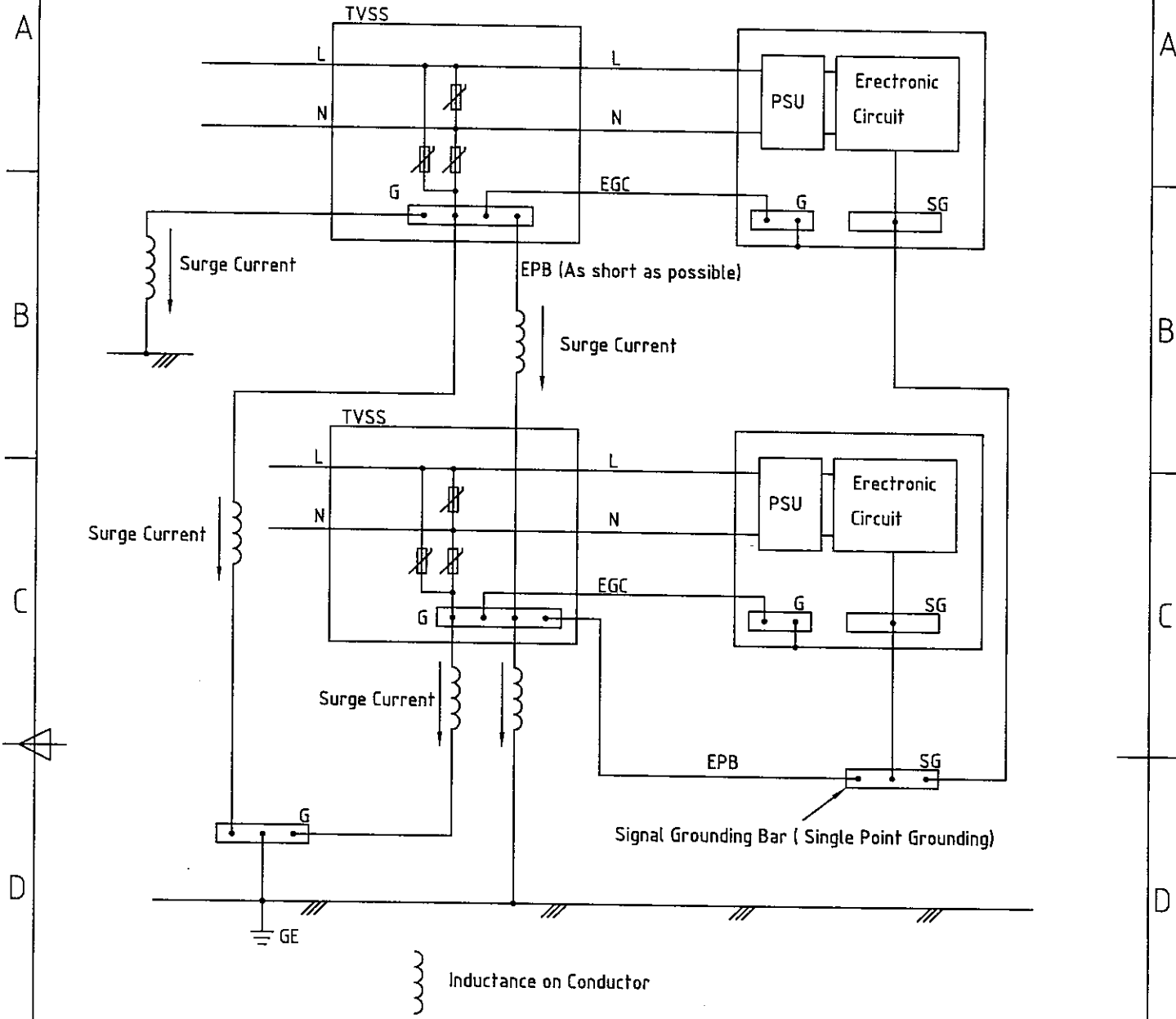


Additional Grounding Connection

Fig. 32

NO	Q'TY	ITEM	REFERENCE
DESIGNED BY	CHECKED BY	APPROVED BY	FILE NAME
AS	AS	N/A	TvssGnd04
			DATE
			3/FEB/03
			SCALE
			N/A
N/A		TITLE	
		TVSS Grounding	
PT. ANI		DWG. NO.	REV
INTERNATIONAL		TvssGnd04	0
		SHT	CONT SHT
		84	85

Property of PT. Anis Internasional Jakarta, Indonesia



TVSS: Transient Voltage Surge Suppressor
 PSU : Power Supply Unit
 GE : Grounding Electrode
 EGC: Equipment Grounding Conductor
 SG: Signal Ground
 EPB: Equipotential Bonding

: TVSS

: Equipotential Connection

Fig. 41

NO	Q'TY	ITEM	REFERENCE		
DESIGNED BY	CHECKED BY	APPROVED BY	FILE NAME	DATE	SCALE
AS	AS	N/A	TvssGnd05	3/FEB/03	N/A
N/A			TITLE		
N/A			TVSS Grounding		
PT. ANI INTERNATIONAL			DWG. NO.	REV	SHT
N/A			TvssGnd05	0	85
N/A			CONT SHT		91

Property of PT. Anis Internasional Jakarta, Indonesia

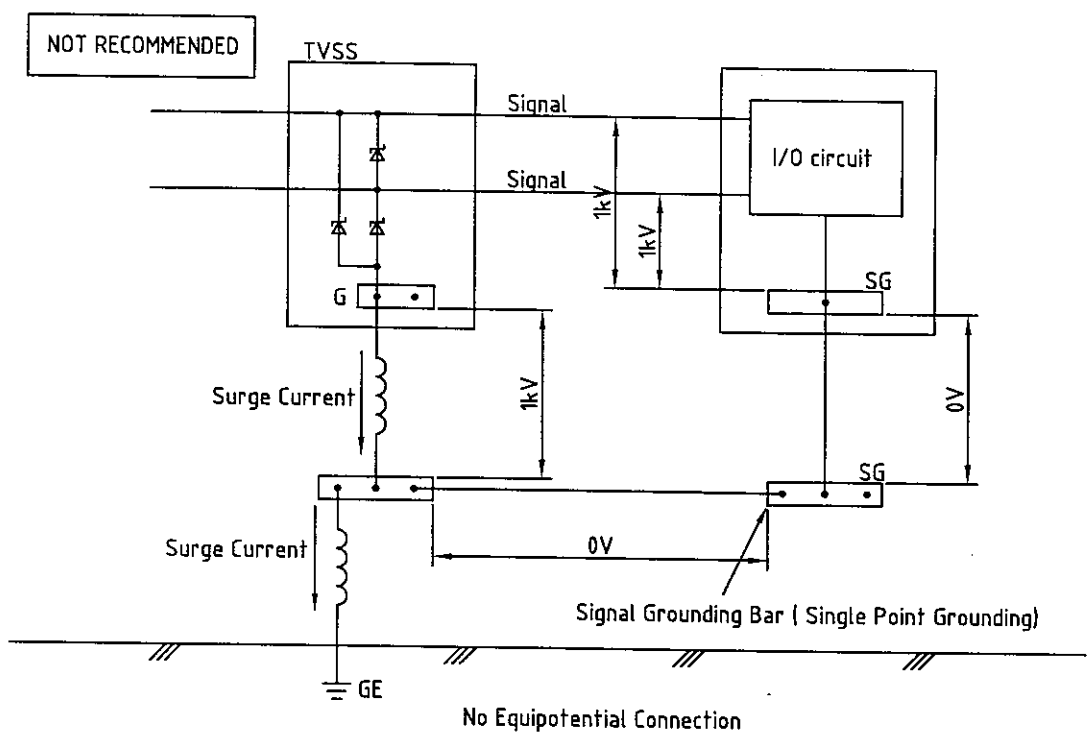


Fig. 51

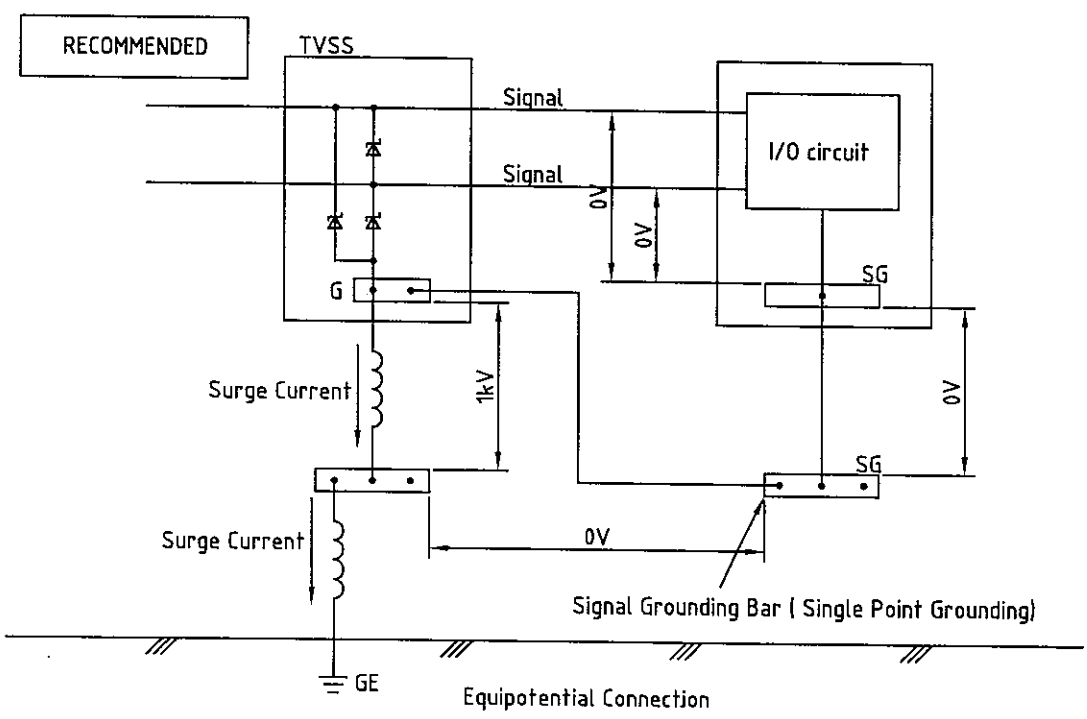


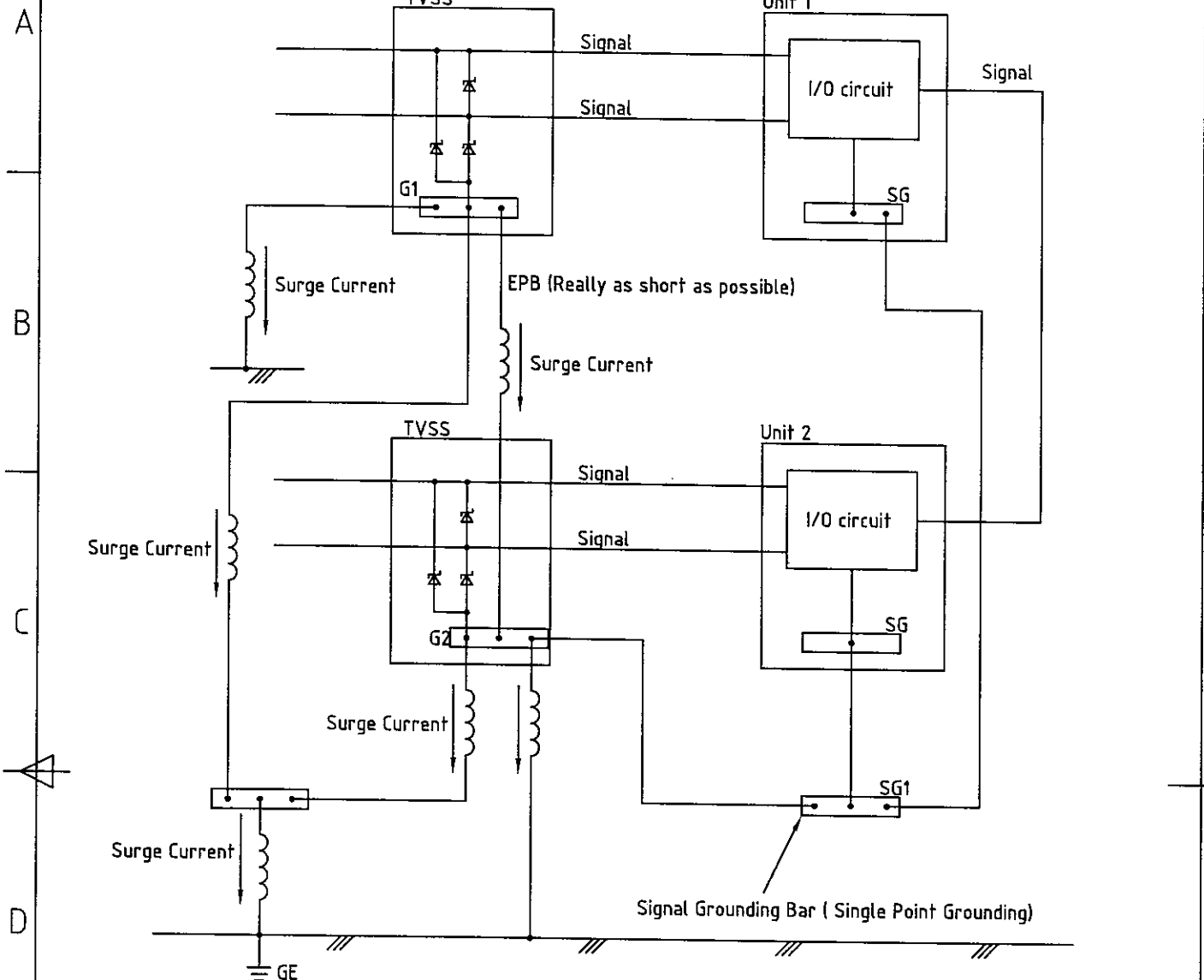
Fig. 52


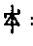
Inductance on Conductor
 TVSS

TVSS: Transient Voltage Surge Suppressor
 GE: Grounding Electrode
 SG: Signal Ground

NO	Q'TY	ITEM	REFERENCE		
DESIGNED BY	CHECKED BY	APPROVED BY	FILE NAME	DATE	SCALE
AS	AS	N/A	TvssGnd11	3/FEB/03	N/A
N/A			TITLE		
			TVSS Grounding		
			DWG. NO.	REV	SHT
			TvssGnd11	0	91
			CONT SHT		
			92		

Property of PT. Anis Internasional Jakarta, Indonesia

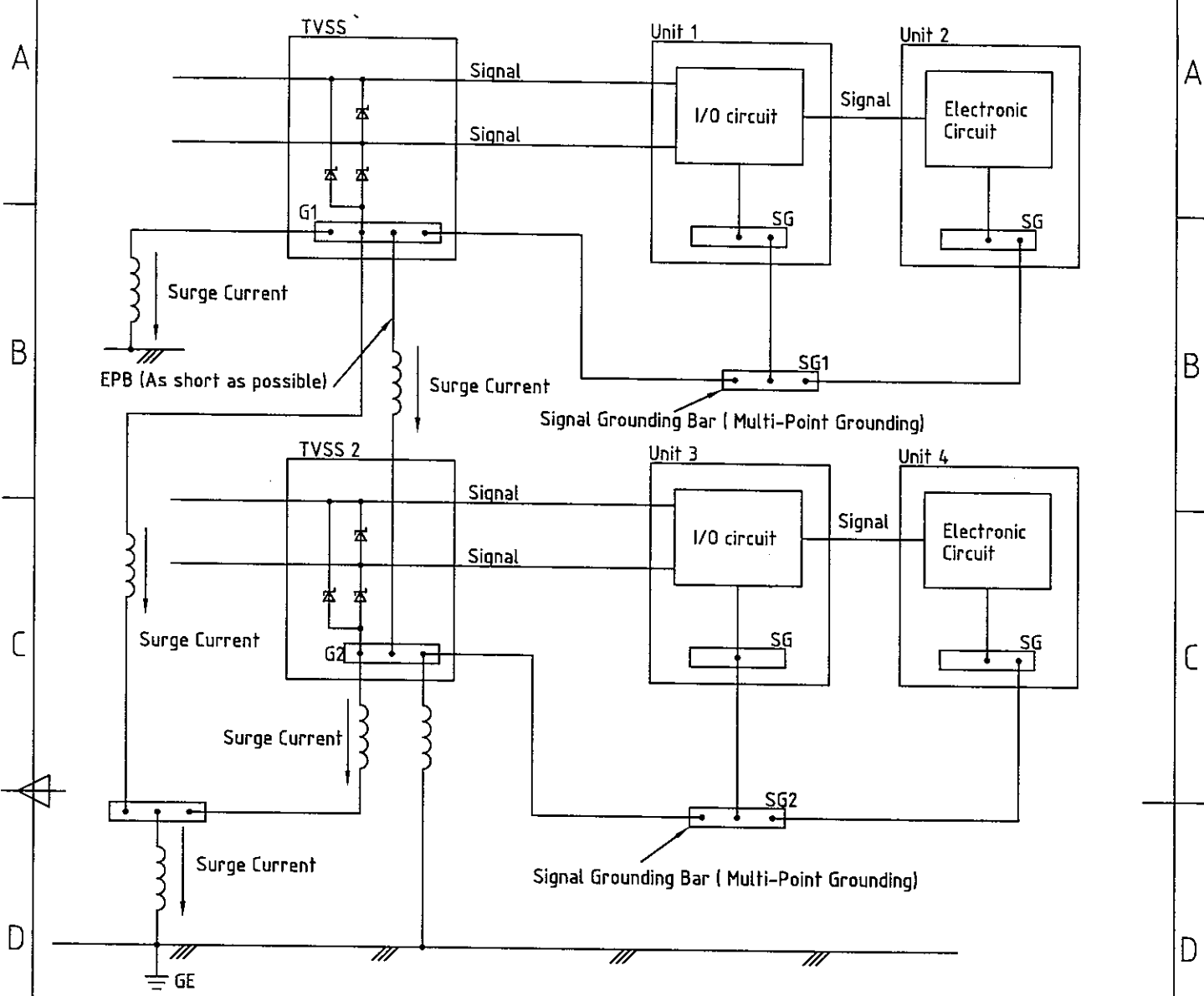



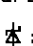
 Inductance on Conductor
 TVSS: Transient Voltage Surge Suppressor
 GE: Grounding Electrode
 SG: Signal Ground
 EPB: Equipotential Bonding
 : TVSS

Equipotential Connection

Fig. 61

NO	Q'TY	ITEM	REFERENCE
DESIGNED BY	CHECKED BY	APPROVED BY	FILE NAME
AS	AS	N/A	TvssGnd12
			DATE
			3/FEB/03
			SCALE
			N/A
N/A		TITLE	
		TVSS Grounding	
PT. ANI		DWG. NO.	REV
INTERNATIONAL		TvssGnd12	0
		SHT	92
		CONT SHT	93



 Inductance on Conductor
 TVSS: Transient Voltage Surge Suppressor
 GE: Grounding Electrode
 SG: Signal Ground
 EPB: Equipotential Bonding
 : TVSS

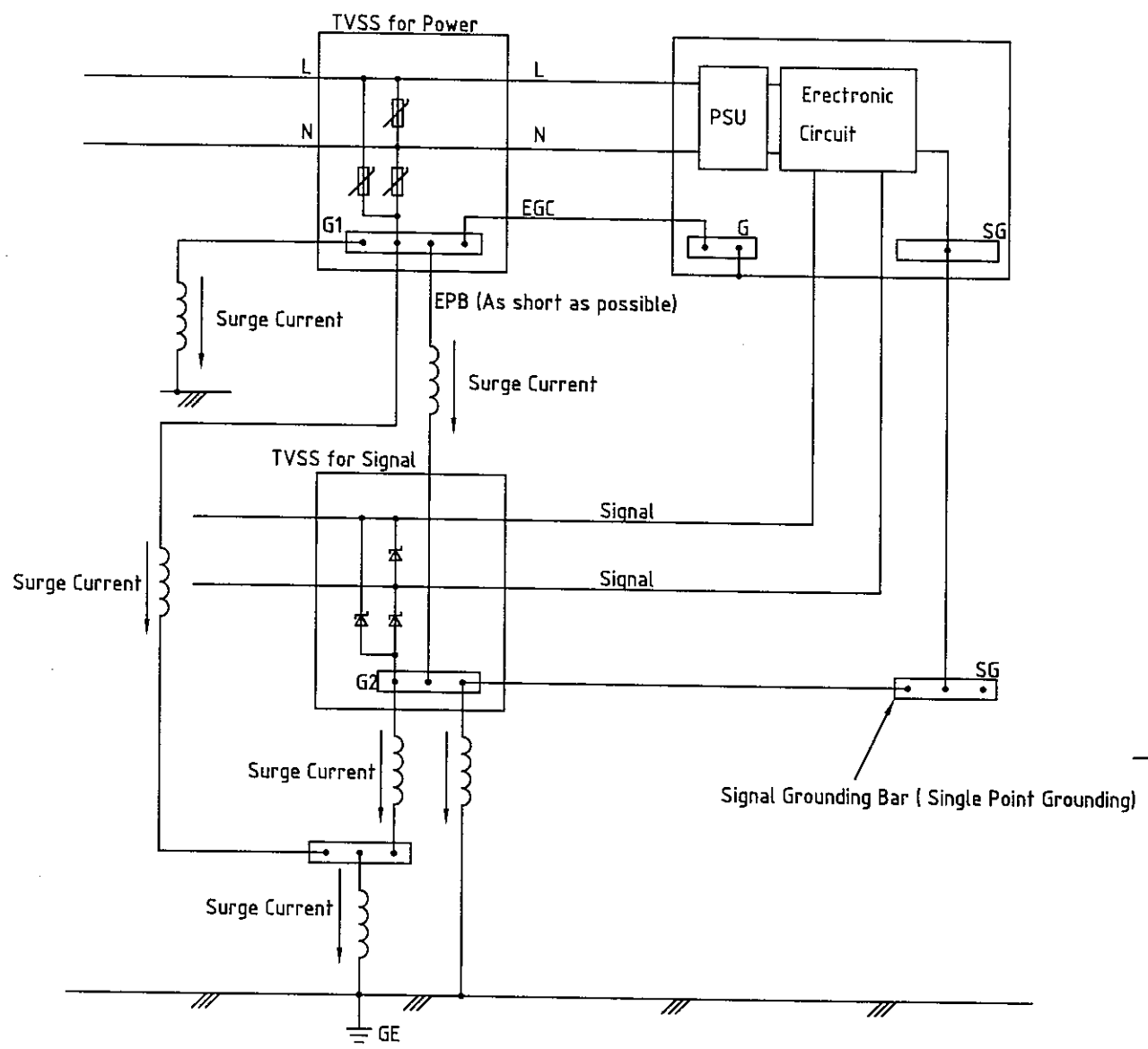
Equipotential Connection

Fig. 71

NO	Q'TY	ITEM	REFERENCE
DESIGNED BY	CHECKED BY	APPROVED BY	FILE NAME
AS	AS	N/A	TvssGnd13
		DATE	SCALE
		3/FEB/03	N/A
N/A		TITLE	
		TVSS Grounding	
DWG. NO.		REV	SHT
TvssGnd13		0	93
		CONT SHT	
			101



Property of PT. Anis Internasional Jakarta, Indonesia



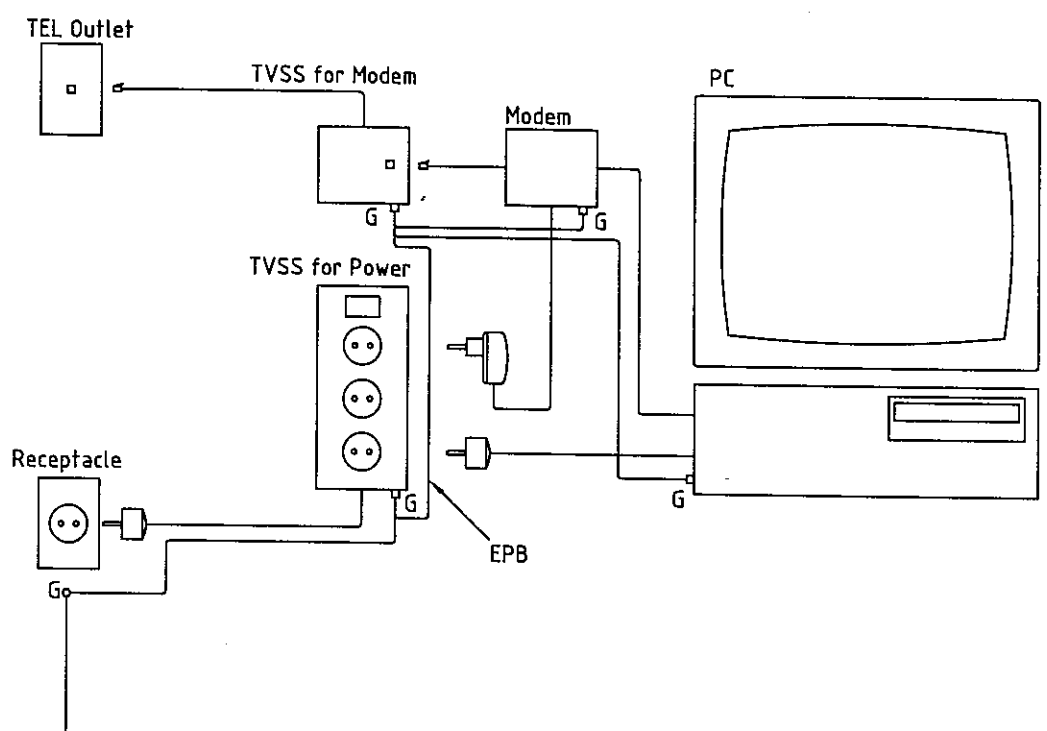
Inductance on Conductor
 TVSS: Transient Voltage Surge Suppressor
 GE: Grounding Electrode
 SG: Signal Ground
 : TVSS

Equipotential Connection
Fig. 71

NO	Q'TY	ITEM	REFERENCE
DESIGNED BY	CHECKED BY	APPROVED BY	FILE NAME
AS	AS	N/A	TvssGnd21
			DATE
			3/FEB/03
			SCALE
			N/A
N/A		TITLE	
		TVSS Grounding	
PT. ANIS INTERNASIONAL		DWG. NO.	REV
		TvssGnd21	0
		SHT	CONT SHT
		101	102

Property of PT. Anis Internasional Jakarta, Indonesia

REV	REVISION NOTE	DATE	BY	CHKED
-----	---------------	------	----	-------



EPB: Equipotential Bonding

Equipotential Connection

Fig. 76

NO	Q'TY	ITEM	REFERENCE
DESIGNED BY	CHECKED BY	APPROVED BY	FILE NAME
AS	AS	N/A	TvssGnd22
			DATE
			3/FEB/03
			SCALE
			N/A
N/A		TITLE	
		TVSS Grounding	
PT. ANI INTERNATIONAL		DWG. NO.	REV
		TvssGnd22	0
		SHT	102
		CONT SHT	111

Property of PT. Anis Internasional Jakarta, Indonesia